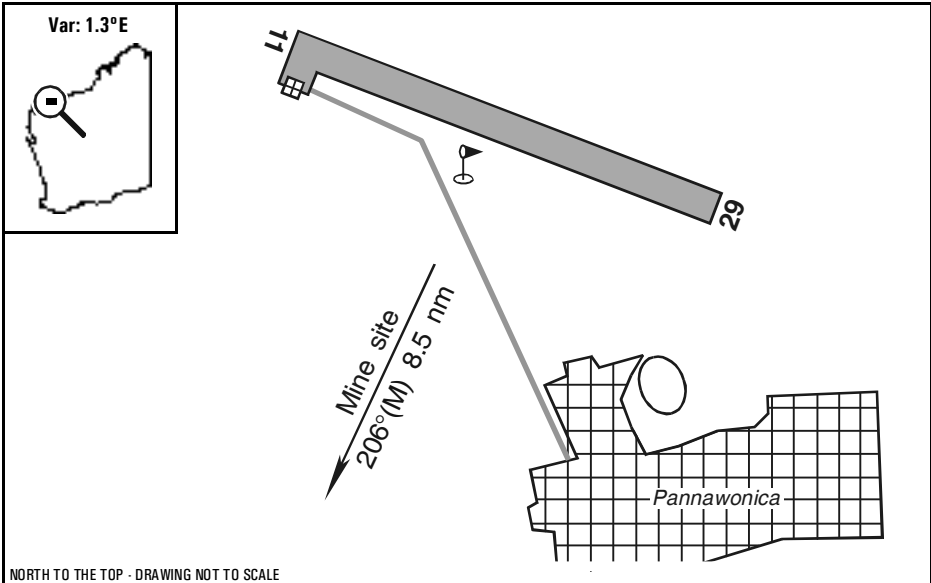


Warning: It is a requirement to check
airstrip condition and details with owner

Pannawonica, WA



NORTH TO THE TOP - DRAWING NOT TO SCALE

Elevation:	675 Feet AMSL	Time Zone:	UTC + 8
GPS Position:	21° 37.721' South 116° 19.183' East	Area Forecast:	68
WAC Chart:	Hamersley Range (3229)	ALA Code:	YPNW
Owner/Operator:	Pilbara Iron (08) 91593100, cheryl.anderson@riotinto.com		
Strip Directions:	11-29		
Strip Lengths:	1328 M		
Strip Surface:	Unsealed - gravel		
Windsock:	Yes		
Strip Markers:	White cones		
Lighting:	Electric - manually switched, emergency use only		
Fuel:	Nil		
Special Procedures And Remarks:	CTAF 126.7. Melbourne Centre 122.4. Multiple transitional infringements on southern side of runway towards the western end. Unlit terrain 819 feet AMSL, 180° (M) 0.9 nm and 961 feet AMSL, 159° (M) 1.8 nm from the aerodrome reference point. The runway slopes 0.28% down to the south east. Caution: aircraft must not overfly the mine site without permission due to blasting. Latest information: contact the owners representative on (08) 91593100, 0439 904382 (mobile) or 0429 153599 (mobile). Restricted operations, permission required prior to use.		